

owner's manual

6-Piece Home Theater Speaker Package

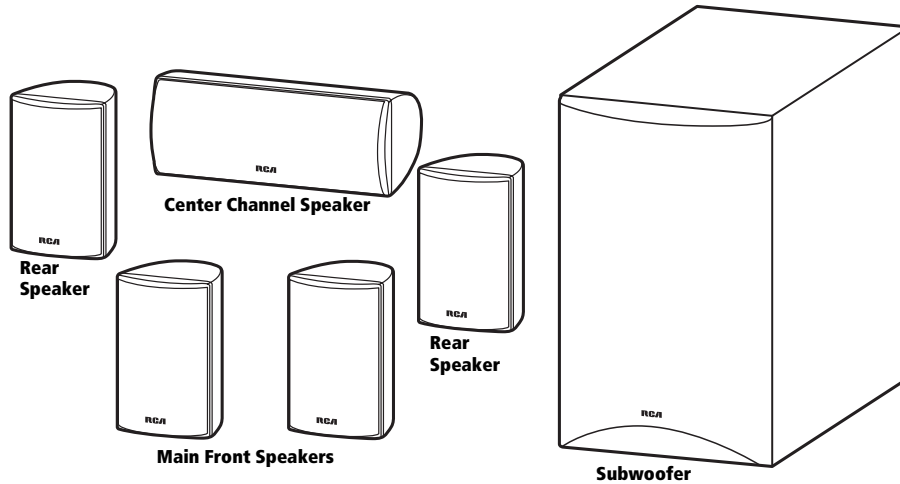


RCA

CONTENTS

Features	2
Important Safety Instructions	3
Speaker Placement	6
Center Channel Speaker	6
Main Front Speakers	6
Rear Channel Surround Speakers	7
Powered Subwoofer	7
Connections	8
Connecting the Speakers to an Amplifier/Receiver	8
Connecting the Subwoofer to an Amplifier/Receiver	9
Connecting the Subwoofer to the Line Level Input Jack	9
Connecting the Subwoofer to the High Level Input Terminals	10
Connecting the Subwoofer to Power	11
Subwoofer Operation	12
Automatic On/Off	12
Adjusting the Volume	12
Replacing the Fuse	13
Care	13
Specifications	14

FEATURES



Your RCA 6-Piece Home Theater Speaker Package is specially designed to give you great sound quality for the ultimate home theater experience. It includes two main (front) speakers, a center channel speaker, two rear channel surround speakers, and a 100-watt powered subwoofer.

Your main front speakers each have a 3-inch woofer for excellent bass response and a 1-inch balance-dome tweeter for clear and natural high-frequency sound reproduction. Your center channel speaker contains two 3-inch high compliance woofers and a 1-inch balance-dome tweeter. All of them are magnetically shielded. Each rear channel surround speaker has a 3-inch cone woofer and a 1-inch piezo tweeter, which is acoustically matched to the two main and center channel speakers. Your subwoofer has an 8-inch long excursion woofer and a 100-watt amplifier to produce tight, floor-rumbling powerful bass down to 50 Hz that you can feel as well as hear.

The speaker cabinets are compact and stylish, with adjustable brackets to provide perfect sound positioning for your front and rear speakers. The center speaker has an adjustable stand for a vertical angle.

Note: You need speaker wire (not supplied) to connect your speakers. Please, read this entire manual before you connect your speakers.

<p>WARNING: To reduce the risk of fire or shock hazard, do not expose this product to rain or moisture.</p>	
<p>CAUTION RISK OF ELECTRIC SHOCK DO NOT OPEN</p>	<p>CAUTION: TO REDUCE THE RISK OF ELECTRIC SHOCK, DO NOT REMOVE COVER OR BACK. NO USER-SERVICEABLE PARTS INSIDE. REFER SERVICING TO QUALIFIED PERSONNEL.</p>
<p>The lightning symbol is intended to alert you to the presence of uninsulated dangerous voltage within this product's enclosure that might be of sufficient magnitude to constitute a risk of electric shock. Do not open the product's case.</p>	<p>The exclamation symbol is intended to inform you that important operating and maintenance instructions are included in the literature accompanying this product.</p>

© 2002 RadioShack Corporation.
All Rights Reserved.

IMPORTANT SAFETY INSTRUCTIONS

Careful attention is devoted to quality standards in the manufacture of your product, and safety is a major factor in its design. However, safety is also your responsibility.

This section lists important information that will help you properly use and enjoy your product. Read all the included safety and operating instructions before using the product. Follow them closely, and retain them for future reference.

Heed Warnings — Follow all warnings on the product and in the operating instructions.

Cleaning — Unplug this product from the wall outlet before cleaning. Use only a damp cloth for cleaning. Do not use liquid or aerosol cleaners.

Attachments — Do not use attachments/accessories not recommended by the product manufacturer, as they might create a hazard.

Water and Moisture — Do not use this product near water (for example, near a bathtub, washbowl, kitchen sink, or laundry tub; in a wet basement; or near a swimming pool).

Accessories — Do not place this product on an unstable cart, stand, tripod, bracket, or table. The product may fall, causing serious injury to a child or adult, and serious damage to the product. Use only with a cart,

stand, tripod, bracket, or table recommended by the manufacturer or sold with the product. Follow the manufacturer's instructions for mounting, and use a recommended mounting accessory.

Burden — Do not place a heavy object on or step on the product. The object may fall, causing serious personal injury and serious damage to the product.

Connecting — When you connect the product to other equipment, turn off the power and unplug all the equipment from the wall outlet. Failure to do so may cause an electric shock and serious personal injury. Read the owner's manual of the other equipment carefully and follow the instructions when making any connections.

Sound Volume — Reduce the volume to the minimum level before you turn on the product. Otherwise, sudden high volume sound may cause hearing or speaker damage.

Sound Distortion — Do not allow the product to output distorted sound for a longtime. It may cause speaker overheating and fire.

Ventilation — Slots and openings in the cabinet provide ventilation, ensure reliable operation, and protect from overheating. Do not block or cover these openings, and do not place the product on a bed, sofa, rug, or other similar surface. Do not place the product in a built-in installation such as a bookcase or rack unless it provides proper ventilation as specified by the manufacturer.

Power Sources — Operate this product using only the power source indicated on its marking label. If you are not sure of your home's power type, consult your product dealer or local power company.

Polarization — This product is equipped with a polarized AC line plug (a plug having one blade wider than the other). This plug will fit in the power outlet only one way. This is a safety feature. If you cannot insert the plug fully into the outlet, try reversing the plug. If the plug still does not fit, contact your electrician to replace your obsolete outlet. Do not defeat the safety purpose of the polarized plug. If you need an extension, use a polarized cord.

Power-Cord Protection — Route power supply cords so they are not likely to be walked on or pinched by items placed on or against them, paying particular attention to cords at plugs, convenience receptacles, and the point where they exit from the product.

Lightning — For added protection for this product during a lightning storm, or when it is left unattended and unused for long periods of time, unplug it from the wall outlet and disconnect the antenna or cable system. This will prevent damage to the product due to lightning and power-line surges.

Overloading — Do not overload wall outlets, extension cords, or integral convenience receptacles, as this can result in a risk of fire or electric shock.

Objects and Liquids — Never push objects of any kind into this product through openings, as they may touch dangerous

voltage points or short out parts that could result in a fire or electric shock. Never spill liquid of any kind on the product.

Servicing — Do not attempt to service this product yourself, as opening or removing covers may expose you to dangerous voltage or other hazards. Refer all servicing to qualified service personnel.

Damage Requiring Service — Unplug this product from the wall outlet and refer servicing to qualified service personnel under the following conditions:

- When the power-supply cord or plug is damaged.
- If liquid has been spilled or objects have fallen into the product.
- If the product has been exposed to rain or water.
- If the product does not operate normally by following the operating instructions. Adjust only those controls that are covered by the operating instructions, as an improper adjustment of other controls may result in damage and will often require extensive work by a qualified technician to restore the product to normal operation.
- If the product has been dropped or damaged in any way.
- When the product exhibits a distinct change in performance.

Replacement Parts — When replacement parts are required, be sure the service technician uses replacement parts specified by the manufacturer or having the same characteristics as the original part. Unauthorized substitutions may result in fire, electric shock, or other hazards.

Safety Check — Upon completion of service or repairs to this product, ask the service technician to perform safety checks to determine that the product is in proper operating condition.

Wall or Ceiling Mount — The product should be mounted to a wall or ceiling only as recommended by the manufacturer.

Heat — The product should be situated away from heat sources such as radiators, heat registers, stoves, or other products (including amplifiers) that produce heat.

Non-use Periods — Unplug the power cord when you will not use the product for extended periods.

SPEAKER PLACEMENT

Where and how you position your speakers has a great effect on the overall sound of your surround sound system.

Cautions:

- Keep the speakers away from heat sources such as radiators, stoves, or other appliances.
- Place your subwoofer at least 2–3 feet away from your television or your computer's disk drive system so the speaker's magnet won't distort your TV picture's color or erase your floppy disks.
- Do not place the subwoofer's metal plate against the floor.
- To prevent the cabinets from warping or discoloring, do not place the speakers where they are exposed to direct sunlight or excessive humidity.
- Do not place the speakers where they might be knocked over or exposed to falling objects.

Center Channel Speaker

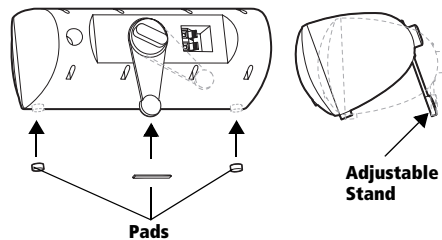
The center channel output contains the majority of the dialogue and sound that comes from on-screen action. Therefore, you should place it as close as possible to the television, preferably centered on top of the TV. Place the front edge of the center channel speaker grille flush with the edge of the television.

Your center channel speaker is magnetically shielded to prevent interference with your

television's picture. It is possible, however, that some interference might occur.

If this happens, turn off your TV for 15 minutes and move the speaker back about 1-inch from the front of the TV. Turn on the TV and recheck, if interference still occurs, move the center channel speaker back further until the interference disappears.

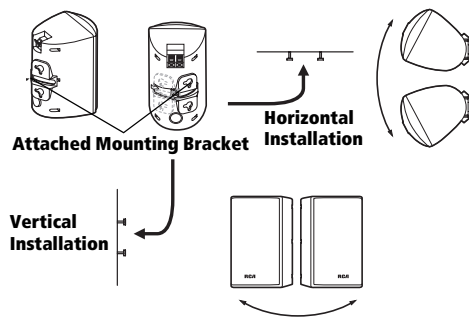
Before placing the center channel speaker above or below the TV, place the supplied pads on bottom of the speaker to protect the speaker and the surface it will be placed on. Two pads should be on the bottom corners and one pad on the edge of the stand as shown. Also, you can find the best listening position by adjusting the stand to change the sound direction.



Main Front Speakers

The main front speakers are critical for home theater sound. They provide sound for the action that takes place off screen, as well as sounds that move from left to right or right to left. Check the rating label to make sure you have the main front speakers, as they are shaped the same as the rear speakers. Place them at least 2 feet away from the TV, with the centers of their grilles as close as possible to the listener's ear level.

You can either place the front speakers on a hard surface or mount them to the wall. When mounting the speakers to the wall, you can change the sound direction by using the supplied attached bracket as shown (screws not supplied). You can also mount the speakers using an optional 1/4-inch wall-mount bracket available at your local RadioShack store.



Rear Channel Surround Speakers

Rear channel surround speakers produce subtle sounds that help create special effects, convey a sense of movement, and give viewers the sensation that they're "inside" a movie theater.

The ideal position for your rear channel surround speakers is behind the listening area and at ear level.

You can place your surround speakers on a shelf, or mount them on a wall using the supplied attached bracket or 1/4-inch wall-mount bracket (not included). See "Main Front Speakers" on Page 6.

Powered Subwoofer

Where and how you position your subwoofer greatly affects its bass response. Adjusting the subwoofer's volume control in relation to the left and right speakers also affects your speaker's overall sound.

Although low frequencies are non directional, factors such as room reflections, resonance and absorption strongly affect your subwoofer's performance. For the maximum bass output, place your subwoofer in a corner on the floor. To reduce output, move it away from corners and back walls, and off the floor. Even slightly moving the subwoofer can have a major effect on bass response.

We recommend that you test the subwoofer in different locations to achieve the best balance between your main speakers and subwoofer.

CONNECTIONS

CONNECTING THE SPEAKERS TO AN AMPLIFIER/RECEIVER

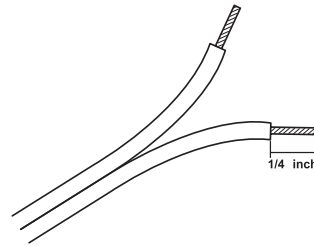
Notes:

- You can use an amplifier/receiver with an output power rating higher than that of the speaker system, but take care never to exceed the speaker system's maximum power rating (see "Specifications" on Page 14)
- To avoid any damage to the speaker system or amplifier/receiver, turn off the amplifier/receiver before making connections.
- Your local RadioShack store has a wide selection of speaker wire. We recommend you use color-coded or marked wire to help you correctly connect the wire. Color-coded wires have a stripe running down one side of the conductors. Marked wires have ridges along one side of the conductors.

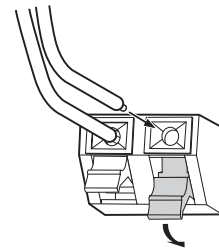
With the speakers in their approximate locations, measure the distance from each speaker to the amplifier. Use 18-gauge speaker wire or lamp cord for distances up to 50 feet. For greater distances, use 16-gauge wire.

1. Split apart about 4-inches of speaker wire on each end.
2. Use a wire stripper to strip $\frac{1}{4}$ -inch of insulation from each wire's end. Twist

the loose wire strands to prevent the wire from shorting.



3. Press the right front speaker's negative (-) terminal tab and insert one of the bare wire ends into the opening. Then release the tab.



4. Press the right front speaker's positive (+) terminal tab and insert the other bare wire end into the opening. Then release the tab.
5. Insert the other end of the wire you connected into the right front speaker's negative (-) terminal into your A/V amplifier/receiver's right front negative (-) speaker terminal.

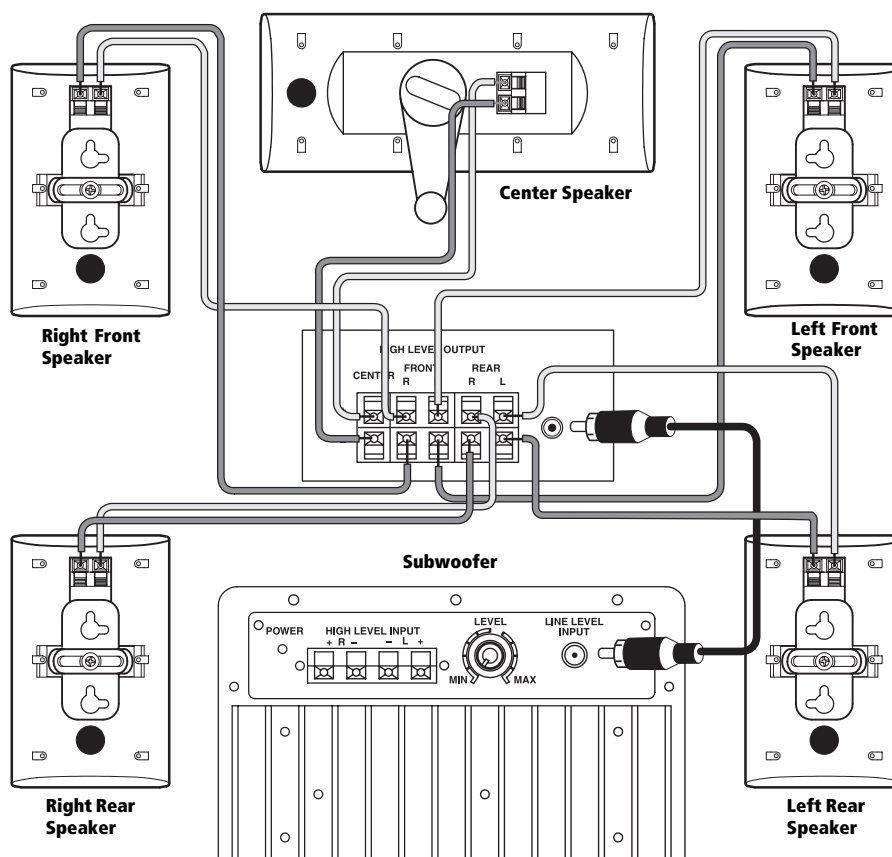
Note: For the maximum bass response and the best performance, be sure your speaker wires are properly connected according to their polarity (+ to + and - to -).

6. Connect the remaining wire to the A/V amplifier/receiver's right front positive (+) speakers terminal.
7. Repeat this process for the left front speaker, the rear channel speakers, and the center channel speaker.

CONNECTING THE SUBWOOFER TO AN AMPLIFIER/RECEIVER

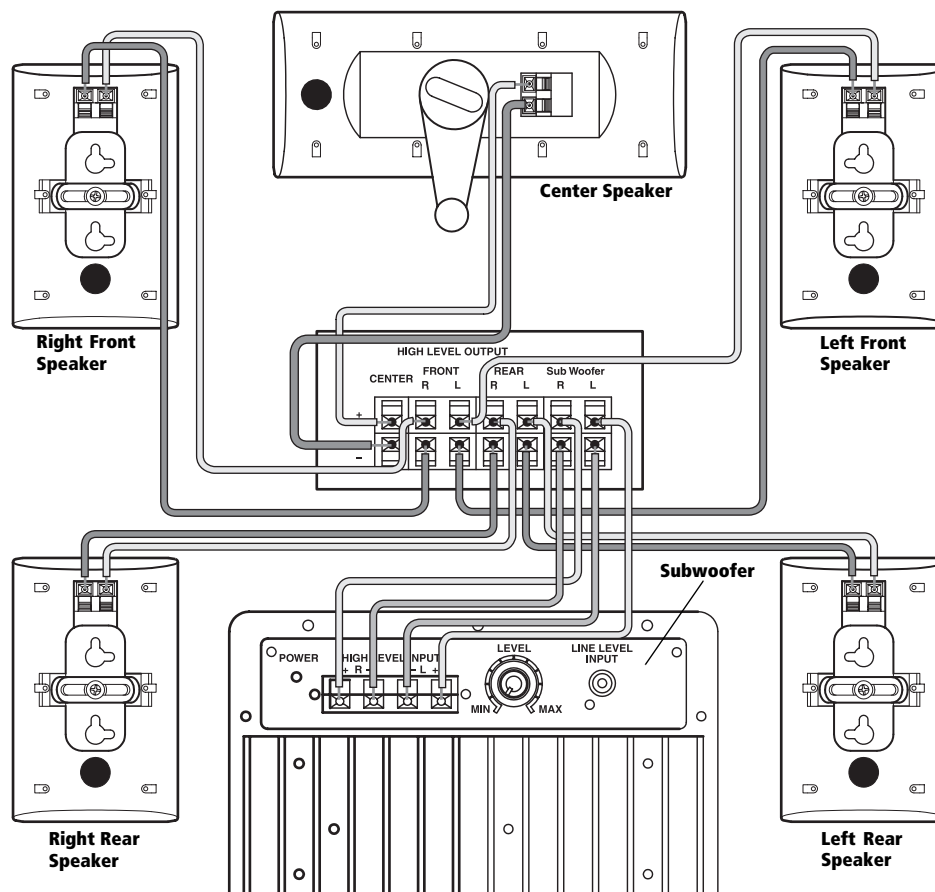
You can connect your subwoofer to an amplifier/receiver's speaker terminals or line out terminals.

Connecting the Subwoofer to the LINE LEVEL INPUT Jack



Your amplifier/receiver's line out jacks might be labeled either REC OUT or PRE OUT. In that case, connect the subwoofer's **LINE LEVEL INPUT** jack to the amplifier/receiver's line out jack with phono (RCA) cables (not supplied). If your amplifier/receiver has "STEREO OUT" for subwoofer, connect with dual-to-single (RCA) cable (not supplied).

Connecting the Subwoofer to the HIGH LEVEL INPUT Terminals



If your amplifier/receiver has a speaker output terminal for the subwoofer, you can connect the amplifier/receiver's speaker output terminals to the subwoofer's **HIGH LEVEL INPUT** terminals. Be sure to connect the amplifier/receiver's positive (+) terminals to the subwoofer's positive terminals, and the amplifier/receiver's negative (-) terminals to the subwoofer's negative terminals. Wiring the subwoofer with incorrect polarity greatly reduces bass performance. After you make all connections, tug lightly on the speaker wires to make sure they are secured.

Notes:

- If you connect your subwoofer to your amplifier/receiver's line out terminals and your amplifier/receiver has a line out selector switch, be sure to set it to the correct source so that you hear the subwoofer.
- You can connect your subwoofer to your television if your television has line out jacks. Simply connect the **LINE LEVEL INPUT** jack to the television's line out terminal with phono (RCA) cable.

CONNECTING THE SUBWOOFER TO POWER

Route the subwoofer's power cord so it is not likely to be walked on or pinched by items placed upon or against it, especially at plugs, convenience receptacles, and the point where it exits from the subwoofer. Connect the power cord to a standard 120 volts/60 Hz AC outlet.

Warning: To prevent electrical shock, do not use this polarized plug with an extension cord receptacle or other outlet unless the blades can be fully inserted to prevent blade exposure.

Caution: Only connect the subwoofer to a power supply of the required type.

Unplug the subwoofer's power cord from the electrical outlet if it will not be used for a long period of time.

SUBWOOFER OPERATION

AUTOMATIC ON/OFF

Your subwoofer turns on and off automatically. It automatically turns on when it receives signals from your amplifier/receiver, and its indicator lights green. Your subwoofer automatically turns off if it does not receive a signal for about 15 minutes, and its indicator lights red.

ADJUSTING THE VOLUME

After all connections are made, adjust the subwoofer's volume control.

1. Rotate **LEVEL** counter clockwise to **MIN**.
2. Turn on your audio system.
3. Play a DVD/CD, record, cassette, radio, or TV and adjust the system's overall volume to a comfortable level.
4. Rotate **LEVEL** clockwise, a little at a time, until you achieve the desired balance of bass between the subwoofer and the main speakers.

Bass output should not overpower the main speakers, but should blend across the entire musical range.

After you adjust **LEVEL**, use the amplifier/receiver's volume control to control the speaker's volume.

TROUBLESHOOTING

REPLACING THE FUSE

If your subwoofer stops operating properly, you might need to replace its fuse. It requires a slow operating type, 2 A/250 V fuse, available at your local RadioShack store.

Caution:

- Before replacing the fuse, disconnect the subwoofer's AC plug and turn off the amplifier/receiver.
- Do not use a fuse with ratings other than those specified.

Use a flat-blade screwdriver to turn the fuse holder (located on the back of the subwoofer) counterclockwise. If the fuse is blown, replace it with a new one.

If your speakers are not performing as they should, take them to your local RadioShack store for assistance. Modifying or tampering with the speaker's internal components can cause a malfunction and might invalidate its warranty.

CARE

Keep the speakers dry; if they get wet, wipe them dry immediately. Use and store the speakers only in normal temperature environments. Handle the speakers carefully; do not drop them. Keep the speakers away from dust and dirt, and wipe them with a damp cloth occasionally to keep them looking new.

Caution: You might permanently damage your speakers by cleaning them with a vacuum cleaner. Use a feather duster or a soft loose cloth instead.

SPECIFICATIONS

MAIN FRONT SPEAKERS

Speaker Complement	
Woofer:	3-inch Woofer
Tweeter:	1-inch Balance Dome Tweeter
Impedance	6 Ohms
Frequency Response	120 Hz–20 kHz
Power Handling (RMS)	50W
Maximum Power	100 W
Sensitivity	85 dB
Dimensions (HWD)	6 ¹ / ₄ × 4 × 4 ¹ / ₂ inches (160 × 100 × 115 mm)
Weight	1.55 lbs (0.7 kg)

CENTER CHANNEL SPEAKER

Speaker Complement	
Woofer:	3-inch Woofer
Tweeter:	1-inch Balance Dome Tweeter
Impedance	8 Ohms
Frequency Response	100 Hz–20 kHz
Power Handling (RMS)	50W
Maximum Power	100 W
Sensitivity	87 dB
Dimensions (HWD)	4 × 10 × 5 inches (100 × 250 × 124 mm)
Weight	2.75 lbs (1.25 kg)

REAR CHANNEL SURROUND SPEAKERS

Speaker Complement

Woofer: 3-inch Woofer
Tweeter:..... 1-inch Piezo Tweeter

Impedance 6 Ohms

Frequency Response 120 Hz–15 kHz

Power Handling (RMS) 50W

Maximum Power 100 W

Sensitivity 85 dB

Dimensions (HWD) 6¹/₄ × 4 × 4¹/₂ inches
(160 × 100 × 115 mm)

Weight 1.19 lbs
(0.54 kg)

POWERED SUBWOOFER

Speaker Complement 8-inch Woofer

Frequency Response 50 Hz-400 Hz

Amplifier Output (RMS) 100 W

Sensitivity (Sound Pressure Level)..... 86 dB ± 2 dB (w/m)

Adjustable Power Voltage AC 120 V/60 Hz

Dimensions (HWD) 14¹/₄ × 9 × 16¹/₂ inches
(360 × 225 × 415 mm)

Weight 24.25 lbs
(11 kg)

Specifications are typical; individual units might vary. Specifications are subject to change and improvement without notice.

Limited Warranty

This product is warranted by RadioShack against manufacturing defects in material and workmanship. The amplified subwoofer is warranted under normal use for one (1) year, and the center, front and rear speakers are warranted under normal use for five (5) years, from the date of purchase from RadioShack company-owned stores and authorized RadioShack franchisees and dealers. EXCEPT AS PROVIDED HEREIN, RadioShack MAKES NO EXPRESS WARRANTIES AND ANY IMPLIED WARRANTIES, INCLUDING THOSE OF MERCHANTABILITY AND FITNESS FOR A PARTICULAR PURPOSE, ARE LIMITED IN DURATION TO THE DURATION OF THE WRITTEN LIMITED WARRANTIES CONTAINED HEREIN. EXCEPT AS PROVIDED HEREIN, RadioShack SHALL HAVE NO LIABILITY OR RESPONSIBILITY TO CUSTOMER OR ANY OTHER PERSON OR ENTITY WITH RESPECT TO ANY LIABILITY, LOSS OR DAMAGE CAUSED DIRECTLY OR INDIRECTLY BY USE OR PERFORMANCE OF THE PRODUCT OR ARISING OUT OF ANY BREACH OF THIS WARRANTY, INCLUDING, BUT NOT LIMITED TO, ANY DAMAGES RESULTING FROM INCONVENIENCE, LOSS OF TIME, DATA, PROPERTY, REVENUE, OR PROFIT OR ANY INDIRECT, SPECIAL, INCIDENTAL, OR CONSEQUENTIAL DAMAGES, EVEN IF RadioShack HAS BEEN ADVISED OF THE POSSIBILITY OF SUCH DAMAGES.

Some states do not allow limitations on how long an implied warranty lasts or the exclusion or limitation of incidental or consequential damages, so the above limitations or exclusions may not apply to you.

In the event of a product defect during the warranty period, take the product and the RadioShack sales receipt as proof of purchase date to any RadioShack store. RadioShack will, at its option, unless otherwise provided by law: (a) correct the defect by product repair without charge for parts and labor; (b) replace the product with one of the same or similar design; or (c) refund the purchase price. All replaced parts and products, and products on which a refund is made, become the property of RadioShack. New or reconditioned parts and products may be used in the performance of warranty service. Repaired or replaced parts and products are warranted for the remainder of the original warranty period. You will be charged for repair or replacement of the product made after the expiration of the warranty period.

This warranty does not cover: (a) damage or failure caused by or attributable to acts of God, abuse, accident, misuse, improper or abnormal usage, failure to follow instructions, improper installation or maintenance, alteration, lightning or other incidence of excess voltage or current; (b) any repairs other than those provided by a RadioShack Authorized Service Facility; (c) consumables such as fuses or batteries; (d) cosmetic damage; (e) transportation, shipping or insurance costs; or (f) costs of product removal, installation, set-up service adjustment or reinstallation.

This warranty gives you specific legal rights, and you may also have other rights which vary from state to state.

RadioShack Customer Relations, 200 Taylor Street, 6th Floor, Fort Worth, TX 76102

07/02

RadioShack Corporation
Fort Worth, Texas 76102

07A02
40-5040
Printed in China